



ZYTP58-Fxxx Series

58mm Micro-thermal Printer Control Module

Rev 1.01 Date: 2011/07/08

Product Date Sheet

Document Information

TYPE	CONTENT
Key words	Micro-thermal Printer, Printing
Abstract	58mm Micro-thermal Printer

Revision History

Version	Rev. Date	Modifications
V1.00	2011-04-11	Original version
V1.01	2011-07-08	Modify the terms of RS-232C in the Table 2-1

Sales Information

Guangzhou ZLGMCU Development Co., Ltd.

Address: F4 Room, 12 Floor, Everbright BANK Building, 689 Tianhe Northern Road,
Guangzhou, CHINA

TEL: +86-20-38732494 38730972 38730976 38730916 38730917 38730977

FAX: +86-20-38730925

Website: www.zlgmcu.com



Guangzhou Sales Office

Address: Room 203 & 204, XinSaiGE Electronic Building,
Tianhe District, Guangzhou, CHINA

TEL: +86-10-87578634, 87578842, 87569917

FAX: +86-20-87578842

Beijing Sales Office

Address: Room 1207 & 1208, Yingwang Centre, 113
Zhichun Road, Haiding District, Beijing, CHINA

TEL: +86-10-62635033, 62635573, 62635884,
62536178, 62536179, 82628073

FAX: +86-10-82614433

Hangzhou Sales Office

Address: Room 502, Jiangnan Electronics Building, 217
Tianmu Road, Hangzhou, CHINA

TEL: +86-571-89719480, 89719481, 89719482,
89719483, 89719484, 89719485

FAX: +86-571-89719494

Shenzhen Sales Office

Address: Room D, Floor 4, C Side, Dianzikeji Building, 2070
ShenNanZhong Road, Shenzhen, CHINA

TEL: +86-755-83781768, 83781788,
83782922, 82941683

FAX: +86-755-83793285

Shanghai Sales Office

Address: Room 7E, Eastern side, Kejjingcheng Building,
668 Beijingdong Road, Shanghai, CHINA

TEL: +86-21-53083452, 53083453,
53083496, 53083497

FAX: +86-21-53083491

Nanjing Sales Office

Address: Room 1501, Zhujiang Building, 280 Zhujiang
Road, Nanjing, CHINA

TEL: +86-25-68123901, 68123902

FAX: +86-25-68123900

Chongqing Sales Office

Address: Room 1611, Saige electronics market, Daxiyang
International Building, 2 Keyuanyi Road, Shiqiao,
Chongqing, CHINA

TEL: +86-23-68796438, 68796439, 68797619

FAX: +86-23-68796439

Chengdu Sales Office

Address: Room 403, Digital Scientific Building, 2 Southern
Yihuan Road, Chengdu, CHINA

TEL: +86-28-85439836, 85432683,
85437446, 85437876

FAX: +86-28-85437896

Wuhan Sales Office

Address: Room 12128, Huazhong Computer and
electronics market, 158 LuoYu Road,
GuangFouTun, HongShan District, Wuhan, CHINA

TEL: +86-27-87168497, 87168297, 87168397

FAX: +86-27-87163755

XiAn Sales Office

Address: Room 1201, Pacific Building, 54 Changanbei
Road, XiAn, CHINA

TEL: +86-29-87881296, 83063000, 87881295

FAX: +86-29-87880865

Technical Supports

Guangzhou ZHIYUAN Electronics Stock Co., Ltd.



Address: Floor 2, Building No.7 Huangzhou Industrial Estate, Chebei Road,
Tianhe District, Guangzhou, CHINA, Post code: 510660

TEL: +86-20-22644249, 28872524, 22644399, 28872342, 28872349, 28872569, 28872573

FAX: +86-20 38601859

Website: www.embedtools.com www.embedcontrol.com www.ecardsys.com

Technical Supports

CAN-bus

TEL: +86-20-22644381, 22644382, 22644253

E-mail: can.support@embedcontrol.com

iCAN & Data collection

TEL: +86-20-28872344, 22644373

E-mail: ican@embedcontrol.com

MiniARM

TEL: +86-20-28872684, 28267813

E-mail: miniarm.support@embedtools.com

Ethernet

TEL: +86-20-22644380, 22644385

E-mail: ethernet.support@embedcontrol.com

Wireless Communication

TEL: +86-20-22644386

E-mail: wireless@embedcontrol.com

Serial Communication

TEL: +86-20-28267800, 22644385

E-mail: serial@embedcontrol.com

Programmer

TEL: +86-20-22644371

E-mail: programmer@embedtools.com

Analyze Tools & Instrument

TEL: +86-20-22644375, 28872624, 28872345

E-mail: tools@embedtools.com

ARM Embedded System Application

TEL: +86-20-28872347, 28872377,
22644383, 22644384

E-mail: arm.support@zlgmcu.com

Building Automation

TEL: +86-20-22644376, 22644389, 28267806

E-mail: mjs.support@ecardsys.com

Sales Contact

TEL: +86-20-22644249, 22644399, 22644372, 22644261, 28872524,
+86-20-28872342, 28872349, 28872569, 28872573, 38601786

Repair and rework

TEL: +86-20-22644245

Content

Chapter 1: Product Introduction	1
1.1 Applications	2
1.2 Features	2
1.3 Naming convention	3
1.4 Product List.....	3
Chapter 2: Pin Information	4
Chapter 3: Typical Application Circuit	7
Chapter 4: Technical Specification	8
Chapter 5: Electrical Parameters	9
Chapter 6: Physical Size	11
Chapter 7: ESC/POS command	12
Chapter 8: Rights & Statements	14

Chapter 1: Product Introduction

ZYTP58-Fxxx is a Micro-thermal printer control module developed by Guangzhou ZLGMCU Development Co., Ltd. This module is featured with compact size and easy-to-use, enabling developers to complete their product development in a short time. It is an ideal choice for 58mm thermal printer controlling applications.

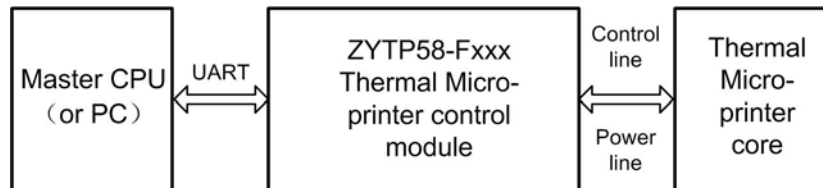


Figure 1-1: How to use ZYTP58-Fxxx

Figure 1-1 demonstrates how to use the ZYTP58-Fxxx series Micro-thermal printer control module:

- The Master CPU controls the ZYTP58-Fxxx through UART;
- ZYTP58-Fxxx drives the Micro-thermal Printer Core for printing by controlling the control line and the power line, as Figure 1-1 and Figure 1-2 shows.



Figure 1-2: The appearance of ZYTP58-Fxxx

ZYTP58-Fxxx has an utmost low consumption, and can provide several specific functions, such as input voltage detection, printing voltage control, over temperature protection and paper-end detection, making its application more flexible and reliable. Figure 1-3 shows the appearance of ZYTP58-Fxxx.



Figure 1-3 ZYTP58-Fxxx

1.1 Applications

- Instrument;
- Supermarket;
- Convenient Store;
- Post Office;
- Bank;
- Public Utility Meter Reading System;
- M-Police System;
- M- Government System;
- Medical Instrument;
- Handheld Device;
- Tobacco Monopoly.

1.2 Features

The features of ZYTP58-Fxxx include:

- Compatible with a large range of printer core, such as ZLG ZTP486F-H101/L101, ZLG ZTP487F-H101, APS FM205-HS, Fujitsu FTP-628MCL101, Fujitsu FTP-628MCL701, Fujitsu FTP-628MCL751, SEIKO LPTZ245B/D, Samsung Bixolon SMP685 and so on;
- Utmost low consumption mode: 10 μ A only (TTL serial port);
- Subminiature chip encapsulation for embedded applications, physical dimension: 31.8mm(width) \times 20.3mm(depth) \times 6.5mm(height);
- Support wide printing voltage range: 3.5~8.5V, and provide automatic configuration to the printing speed (70mm/s maximum) based on the printing voltage;
- Adjustable printing color density for different requirements;
- Support double width, double height, emphasized, italic, inverse, border and underline settings for printing;
- Support vertical table printing with a flexible and diverse form, very suitable for multiple table items printing;
- Support one-dimension bar code, such as EAN13, EAN8, UPCA, UPCE, CODE39, ITF25, CODABAR, CODE93, CODE128, EAN128 and so on;
- Support common ESC/POS control command;
- Serial communication interface (RS-232C/TTL), support RTS/CTS and Xon/Xoff protocols.

1.3 Naming convention

Figure 1-4 shows the product naming convention.

Example: ZYTP58-FT6B

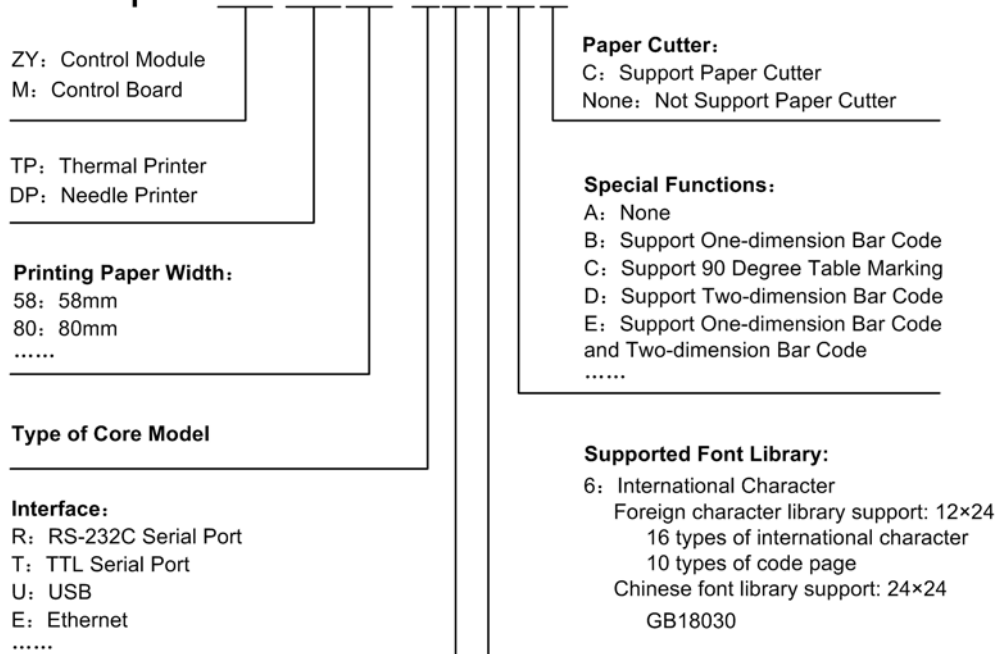


Figure 1-4: Product Naming Convention

1.4 Product List

Table 1-1: Product list of ZYTP58-Fxxx Series

Type	Serial Level	Specific Functions	Package
ZYTP58-FT6B	TTL	Support one-dimension bar code, international character, code page	DIP-24PIN
ZYTP58-FR6B	RS-232C	Support one-dimension bar code, international character, code page	DIP-24PIN

Notes: The devices listed above can also be customized to support different type of printer cores with special functions.

Chapter 2: Pin Information

Figure 2-1 shows the pin assignment of ZYTP58-Fxxx series, and Table 2-1 lists its pin definitions.

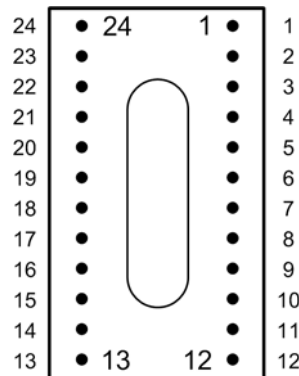


Figure 2-1: Pin Assignments

Table 2-1: Pin Definition

Pin	No.	I/O	Type	Description
PHK	1	Output	Core interface	Paper-end sensor photo-diode negative pole ^[1]
PAPER-OUT	2	Output	Core interface	Paper-end sensor signal (Low for paper end) ^[1]
NC	3	—	—	No connection (must be disconnected)
DI	4	Output	Core interface	Serial data
CLK	5	Output	Core interface	Serial clock
STB2	6	Input	Core interface	Heating control line 2
VDD	7	Output	Core interface	Chip logic power supply with 3.3V output voltage; it can drive the LEDs for power supply indicating or low power mode indicating. For normal mode, this pin outputs 3.3V voltage; for low power case, this pin outputs 0V voltage ^[2]
TM	8	Input	Core interface	Temperature measuring
STB1	9	Output	Core interface	Heating control line 1
LATCH	10	Output	Core interface	Serial data latch
VH	11	Output	Core interface	Power supply for heating
NC	12	—	—	No connection (must be disconnected)
VIN	13	—	User Interface	Power supply input
GND	14	—	—	Ground
MT-B-	15	Output	Core interface	Step motor/B ^[3]
MT-B+	16	Output	Core interface	Step motor B ^[3]
MT-A-	17	Output	Core interface	Step motor/A ^[3]
MT-A+	18	Output	Core interface	Step motor A ^[3]
NC	19	—	—	No connection (must be disconnected)

Pin	No.	I/O	Type	Description	
KEY	20	—	—	Feed paper button and test page printing button (press the button and hold, then power on the machine, test page printing will be performed) ^[4]	
LED	21			This pin can be connected to state indicator to indicate the working status of the printer ^[4]	
				Always on: normal working;	
				Blinking in 1MHz: the power supply voltage is over 8.5V;	
				Blinking in 2MHz: paper end;	
				Blinking in 4MHz: over temperature	
BUSY	22	Output	User Interface	RTS/CTS flow control indicator	
				BUSY is logic "1" ^[5]	The printer is busy, no data will be received.
				BUSY is logic "0" ^[5]	The printer is ready to receive data.
RXD	25	Output	User Interface	Serial interface sending	
TXD	26	Input	User Interface	Serial interface receiving	

Notes: [1] The printer core that supported by ZYTP58-Fxxx contains a paper-end detection sensor, as Figure 2-3 shows.

[2] Mustn't to drive the periphery with large current, otherwise unpredictable result may occur.

[3] The printer core that supported by ZYTP58-Fxxx should meet the requirement of the driving timing of the feed paper motor shown in Figure 2-2.

[4] The LED and KEY pins internal connection circuit is shown as Figure 3-1.

[5] RS-232 level is a negative logic level. When the BUSY pin outputs logic "1", the TTL level BUSY pin would output High level, while the RS-232 BUSY pin would output Low level.

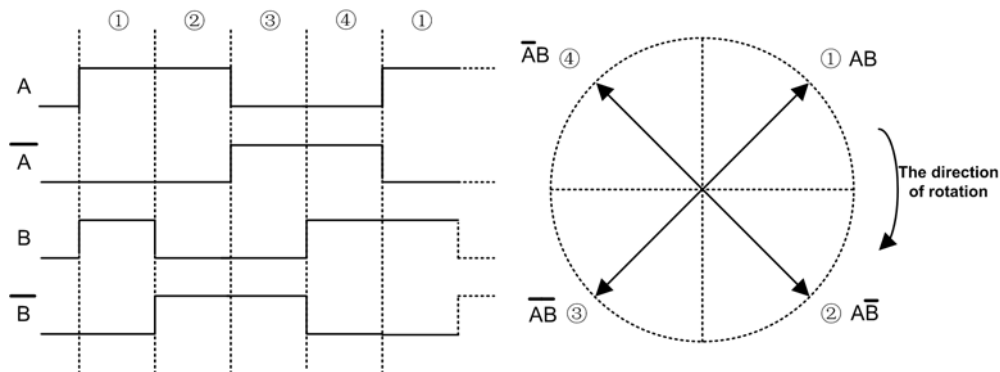


Figure 2-2: motor driving timing for paper feeding

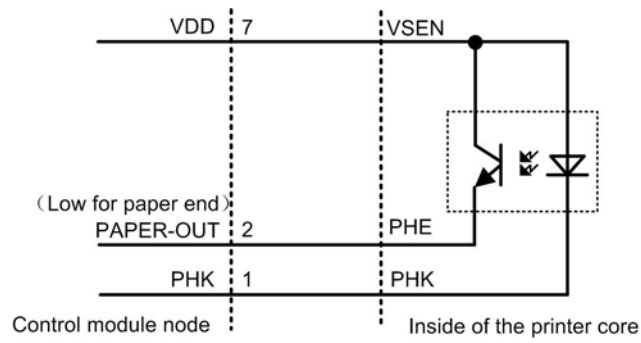


Figure 2-3: Paper-end detection sensor

Chapter 3: Typical Application Circuit

Figure 3-1 shows the typical application circuit of the ZYTP58-FTxx micro-thermal printer control module, in which the printer core is ZTP486F-H101/L101 from Guangzhou ZLGMCU Development Co., Ltd.

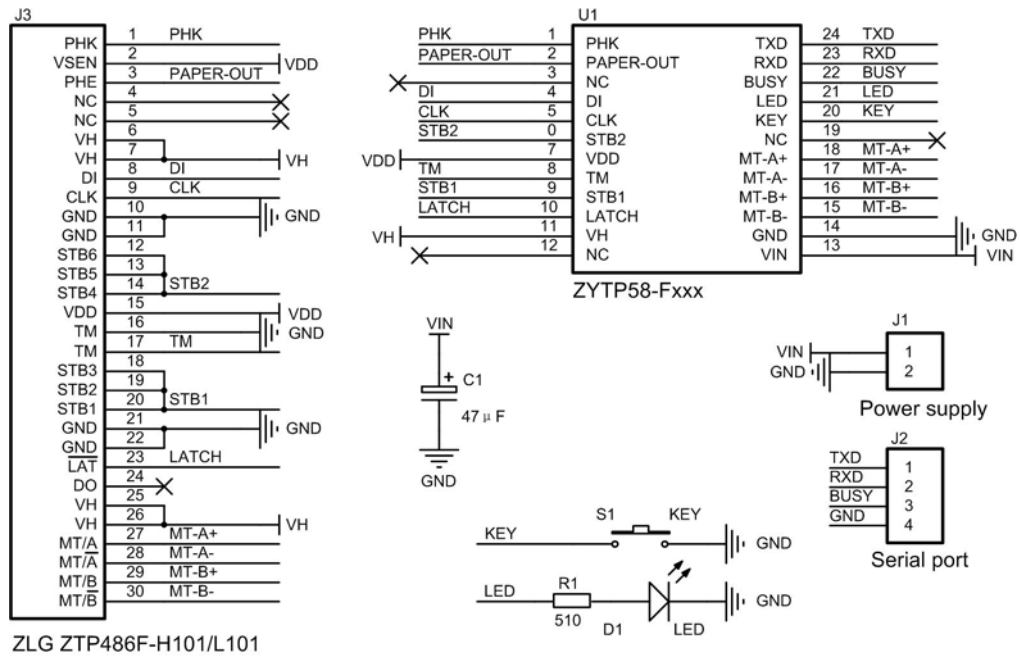


Figure 3-1: ZYTP58-Fxxx typical application circuit

Chapter 4: Technical Specification

The technical specification of ZYTP58-Fxxx is shown in Table 4-1.

Table 4-1: Technical Specification

Printing Mode	Thermal line printing
Printing Density	8dots/mm
Printing Dots per Line	384dots/line
Printing Width	48mm
Paper Width	57±1mm
Printing Rate	70mm/sec maximum ^[1]
Printing Character	Foreign character library support: 12×24 16 types of international character 10 types of code page Chinese font library support: 24×24 GB18030
Printing Image	Vertical modulus image printing: 8 dots single density; 8 dots double density; 24 dots single density; 24 dots double density.
	Horizontal modulus image printing
One-dimension Bar Code	Support 10 types of common one-dimension bar code: UPCA, UPCE, EAN13, EAN8, CODE39, ITF25, CODABAR, CODE93, CODE128 and EAN128
Two-dimension Bar Code	Not supported
Communication Interface	Standard UART interface (support RS-232 level or TTL level) After power up, the serial communication parameters will be set to baud rate: 9600bps, none parity, 8 data bits and 1 stop bit by default. User can also modify these communication parameters by using “GS (E” command, for more information, please refer to “ZLG ESC/POS Application Guide”.
	Support RTS/CTS and Xon/Xoff protocol
Input Buffer	2K Bytes
Platen Open Detection	Not supported
Paper End Detection	Support
Over Temperature Protection	Support
Paper Cutter	Not supported
Power Supply	DC 3.5~8.5V/3A (DC 7.2/3A is recommended)
Physical Size	31.8×20.3×6.5 (mm)

Chapter 5: Electrical Parameters

The electrical parameters of ZYTP58-Fxxx are listed in Table 5-1.

Table 5-1: Electrical Parameters

Parameter		Symbol	Test Condition	Min.	Typ.	Max.	Unit
Operating Voltage (input)		V_{IN}	$T_O=25^{\circ}C$	3.5	7.2	8.5	V
Operating Current (input)	Working Current	I_W	Printing Density 12.5%	–	1.4	3.8	A
	Static Current	I_S	$V_{IN}=8.5V$	–	20	–	mA
	Low Power	V_{LP}	TTL Module	–	10	–	μA
Printing Voltage (Output)		V_H		–	$=V_{IN}$	–	V
Printing Current (Output)		I_H		–	–	3.7	A
Logic Voltage (Output)		V_{DD}	$I_{DD}=10mA$	3.3-5%	3.3	3.3+5%	V
Logic Current (Output)		I_{DD}	$V_{IN}=3.5V$	–	–	80	mA
Logic Level Voltage (Input)	High	V_{IH}	V_{DD} Output 3.3V	$0.7V_{DD}$	–	5	V
	Low	V_{IL}	V_{DD} Output 3.3V	–	–	$0.3V_{DD}$	V
Logic Level Voltage (Output)	High	V_{OH}	V_{DD} Output 3.3V	$V_{DD}-0.4$	–	–	V
	Low	V_{OL}	V_{DD} Output 3.3V	–	–	0.4	V
Logic Level Input Current	High	I_{IH}	V_{DD} Output 3.3V	–	0.5	10	nA
	Low	I_{IL}	V_{DD} Output 3.3V	–	0.5	10	nA
Logic Level Output Current	High	I_{OH}	V_{DD} Output 3.3V	4	–	–	mA
	Low	I_{OL}	V_{DD} Output 3.3V	4	–	–	mA
Clock Frequency		F_{CLK}		–	6	–	MHz
Motor Driver Current		I_M	Connect to ZLG ZTP486F printer core $V_{IN}=8.5V$	–	0.4	–	A
RS-232 Level Serial Port Parameters	Output Voltage	V_{O-UART}	$T_O=25^{\circ}C$ Load=3k Ω	± 5.0	± 5.4	–	V
	Output Impedance	R_{O-UART}		300	–	–	Ω
	Output Short-circuit Current	$I_{OSC-UART}$	$V_{OUT} = 0V$	–	± 35	± 60	mA
	Output Leakage Current	$I_{OLC-UART}$		–	–	± 25	μA

Parameter	Symbol	Test Condition	Min.	Typ.	Max.	Unit
Input Voltage Range	V_{I-UART}		-15	-	+15	V
Low Input Voltage Threshold	$V_{IL-UART}$		0.6	1.2	-	V
High Input Voltage Threshold	$V_{IH-UART}$		-	1.5	2.4	V
Input Impedance	R_{I-UART}		3	5	7	k Ω
Operating Temperature	T_O		-40	-	+85	$^{\circ}\text{C}$
Storage Temperature	T_S		-50	-	+125	$^{\circ}\text{C}$
Jointing Temperature	T_J				250	$^{\circ}\text{C}$
Jointing Endurance	t_J				3	s

Chapter 6: Physical Size

The physical size of the control board within the ZYTP58-Fxxx is shown in Figure 6-1. And Table 6-1 lists the corresponding parameters.

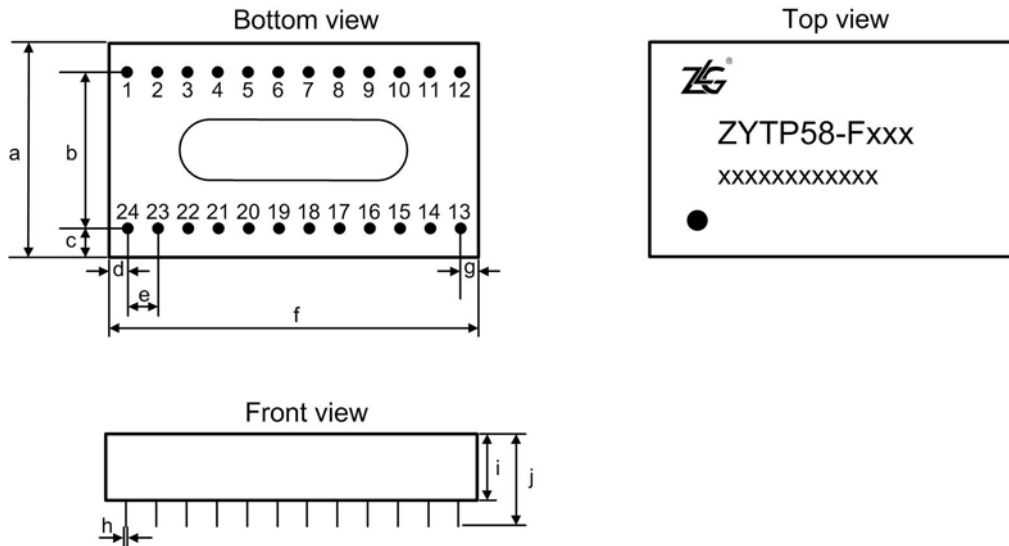


Figure 6-1: The physical size of the control board

Table 6-1: Physical size parameter

Legend	Mark	Inch	Unit: mm
Bottom view diagram	a	0.799	20.30
	b	0.600	15.24
	c	0.100	2.54
	d	0.076	1.93
	e	0.100	2.54
	f	1.252	31.80
	g	0.076	1.93
Top view diagram	h	0.019	0.48
	i	0.256	6.50
	j	0.420	10.68

Chapter 7: ESC/POS command

The ESC/POS commands supported by ZYTP58-Fxxx are listed in Table 7-1.

Table 7-1: ESC/POS command

Command	Function	Command Type ^[1]
LF	Print and feed paper	Print and feed commands
CR	Carriage return	
ESC J	Print and feed paper for n dots	
ESC K	Print and feed paper back for n dots	
ESC d	Print and feed paper for n lines	
ESC e	Print and feed paper back for n lines	
ESC 3	Set the line space to n dots	Print setting commands
ESC 2	Set the line space to a default value	
ESC 1	Set the left margin	
ESC Q	Set the right margin	
ESC \$	Set the absolute print position	
ESC !	Set the font types	
ESC a	Set the print alignment	
ESC m	Set the font grayscale	
FS s	Set the print speed	
ESC M	Set the font size	
FS !	Select print mode(s) for Kanji characters	
FS .	Cancel Kanji character mode	
ESC R	Select an international character set	
ESC t	Select character code page	
ESC*	Select bit-image mode	Image print commands
GS v 0	Print raster bit image	
HT	Horizontal tab	Tabulation commands
ESC D	Set horizontal tab positions	
GS H	select print position of one-dimension HRI	One-dimension /two-dimension bar code print commands
GS h	Set the height of one-dimension bar code	
GS w	Set the width of one-dimension bar code	
GS f	Select font size for one-dimension bar code	
GS k	Print one-dimension bar code	
DLE EOT	Query the states of printer (real-time)	States commands
GS a	Set/cancel the printer states automatic back	
ESC @	Initialize the printer	Miscellaneous commands
DLE DC4 8	Clear the printer buffer (real-time)	
GS (E	Set the configuration item for the serial interface	

DLE DC4 2	Enter/Exit low power mode (real-time)	
-----------	---------------------------------------	--

Notes: [1] For more information, please refer to "ZLG ESC POS Application Guide".

Chapter 8: Rights & Statements

The software or document provided by Guangzhou ZLGMCU Development Co., Ltd is intended to provide for you (Customer), and is limited and only for the Product licensed or sale by ZLGMCU.

This software or document is owned by ZLGMCU and/or its Suppliers, and protected by applicable copyright law. All rights reserved. Anyone who performs any material breach may face relevant criminal sanction according to applicable law, and should bear corresponding civil liabilities caused by the infringement of the terms and conditions specified in this License. ZLGMCU reserves the right of modifying the document or software without notice the Customer, and has no liability for any affects occurring in use.

This software or document is provided in “as is”. No warranty is made (explicitly, implicitly or legally). Such warranties are including, but not limited to, the implied warranties of merchantability and fitness for a particular purpose to use this document. In no event shall ZLGMCU be liable for any direct, indirect, incidental, special, exemplary, or consequential damages arising in any way out of the use of this software or document.

Company name: Guangzhou ZLGMCU Development Co., Ltd.
Address: Floor 4, No.2 Building,
Huangzhou Industrial Estate
Guangzhou, CHINA
Post code: 510660
Website: www.zlgmcu.com
Sales: +86-20-2264-4249
Tech. Support: +86-20-2264-4361
Facsimile: +86-20-3860-1859
Sales Email: 80c51mcu@zlgmcu.com
Tech. Sup. Email: printer@zlgmcu.com